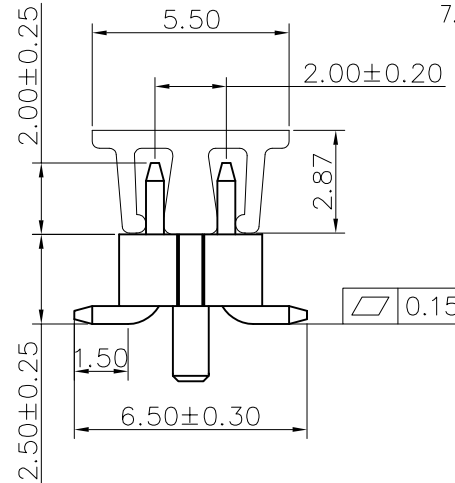


RECOMMENDED PCB LAYOUT (COMPONENT SIDE)
(TOLERANCE: ± 0.05)

NOTES:

- MATERIAL:
 - HOUSING: SEE TABLE
 - CONTACTS: SEE TABLE
- FINISH:
 - CONTACT: SEE P/N
- THE CONNECTOR IS RoHS COMPLIANT.
- BURR IS 0.5mm MAX.
- SPEC. PLS. REFER TO PS-60289-XXXX-XXX
- PACKAGE PLS. REFER TO 60289-XXXX-XX-TRP
- P/N: 60289-XXX X X-001



- CKTS _____
 032 PINS _____
 PACKING _____
 7: TAPE & REEL WITH COVER _____
 001: W/ BOSS _____
 PLATING: 1: GOLD FLASH OVER ALL

| DIM. D | CKTS |
|--------|---------|
| 5.00 | 006~016 |
| 8.16 | 018~080 |

| | | | | |
|---------------------------------------|-------------|---------------|--------------------------|---|
| B | TERMINAL | 32 | COPPER ALLOY | SEE P/N |
| A | HOUSING | 1 | HIGH TEMP. THERMOPLASTIC | UL 94V-0, BLACK |
| NO | DESCRIPTION | QTY | MATERIAL | PLATING & COLOR |
| QUALITY SYMBOLS | | DRAWN BY | DATE | |
| MAJOR | | LIAO WAN TING | '18/01/30 | |
| CRITICAL | | CHECKED BY | DATE | |
| GENERAL TOLERANCES (UNLESS SPECIFIED) | | TENG CHANG HO | '18/01/30 | |
| X. ± 0.8 | | APPROVED BY | DATE | TITLE |
| .X ± 0.25 | | KUO JUNG HSUN | '18/01/30 | 2.00MM PIN HEADER CONN. SMT D/R S/T TYPE |
| .XX ± 0.15 | | UNITS | | SIZE |
| .XXX ± 0.1 | | mm | | A4 |
| ANGLES $\pm 2^\circ$ | | SCALE | SHEET NO. | DWG NO. |
| | | - : - | 1 OF 1 | 60289-XXXX-XXX |
| | | | REV | PART NO. |
| | | | 0 | SEE NOTES |